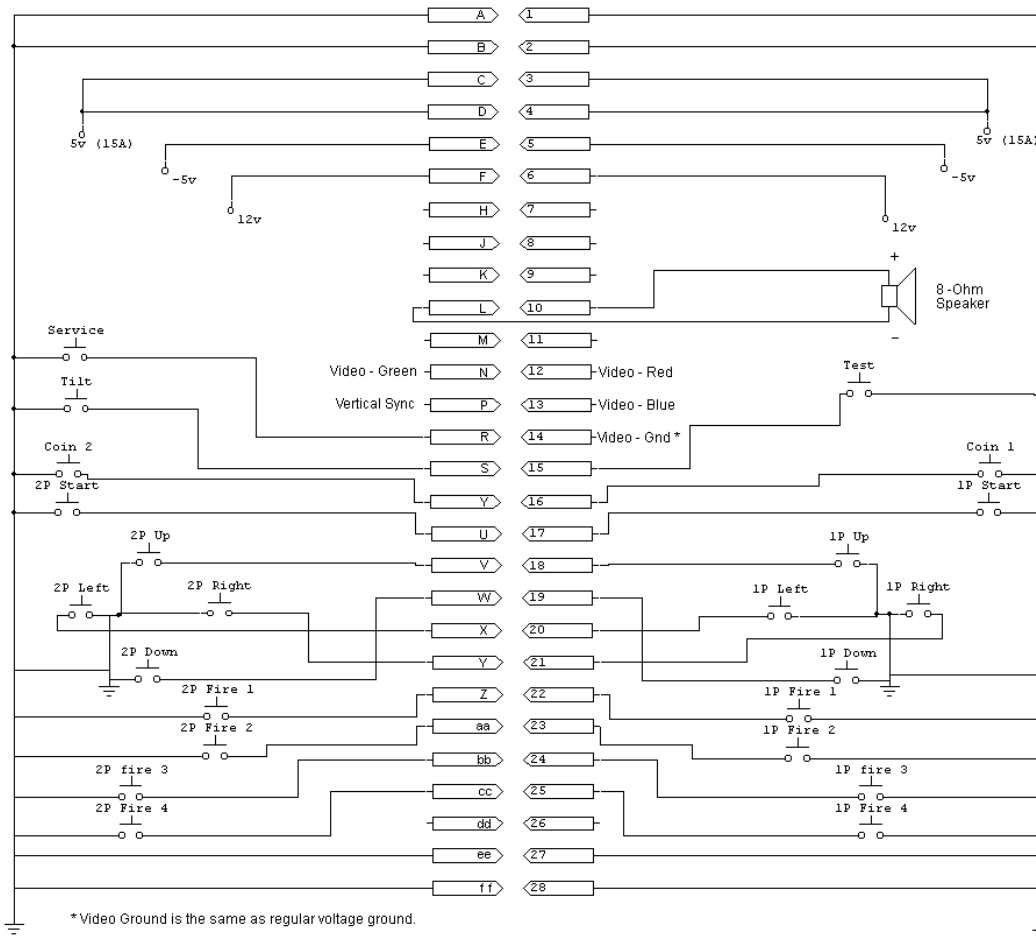


JAMMABOARDS.COM - JAMMA HARNESS W/ .187" QUICK DISCONNECTS

P/N: JAMMA-H1

JAMMA Functional Connection Diagram



Tip: Every joystick and button microswitch must be connected the same way (as shown below).

NOT USED

GROUND LOOP

SIGNAL/FUNCTION PIN TO JAMMA CONNECTOR

FUNCTION	WIRE COLOR	PIN	PIN	WIRE COLOR	FUNCTION
GROUND	BLACK	A	1	BLACK	GROUND
GROUND	BLACK	B	2	BLACK	GROUND
+5 VDC	RED	C	3	RED	+5 VDC
+5 VDC	RED	D	4	RED	+5 VDC
-5 VDC	GREEN	E	5	GREEN	-5 VDC
+12 VDC	YELLOW	F	6	YELLOW	+12 VDC
KEY SLOT		H	7		KEY SLOT
COIN COUNTER 2		J	8		COIN COUNTER 1
LOCKOUT COIL 2		K	9		LOCKOUT COIL 1
SPEAKER -	WHITE	L	10	WHITE	SPEAK +
		M	11		
VIDEO - GREEN	GREEN	N	12	RED	VIDEO - RED
VIDEO - VERTICAL SYNC	WHITE	P	13	BLUE	VIDEO - BLUE
SERVICE SWITCH	RED	R	14		VIDEO - GROUND
SLAM/TILT		S	15	ORANGE	TEST SWITCH
COIN 2	GREEN	T	16	GREEN	COIN 1
P2 - START	BROWN	U	17	BROWN	P1 - START
P2 - UP	RED	V	18	RED	P1 - UP
P2 - DOWN	ORANGE	W	19	ORANGE	P1 - DOWN
P2 - LEFT	YELLOW	X	20	YELLOW	P1 - LEFT
P2 - RIGHT	GREEN	Y	21	GREEN	P1 - RIGHT
P2 - FIRE BUTTON 1	BLUE	Z	22	BLUE	P1 - FIRE BUTTON 1
P2 - FIRE BUTTON 2	VIOLET	AA	23	VIOLET	P1 - FIRE BUTTON 2
P2 - FIRE BUTTON 3	GRAY	BB	24	GRAY	P1 - FIRE BUTTON 3
P2 - FIRE BUTTON 4	WHITE	CC	25	WHITE	P1 - FIRE BUTTON 4
		DD	26		
		EE	27		
GROUND	BLACK	FF	28	BLACK	GROUND
SOLDER SIDE			COMPONENT SIDE		